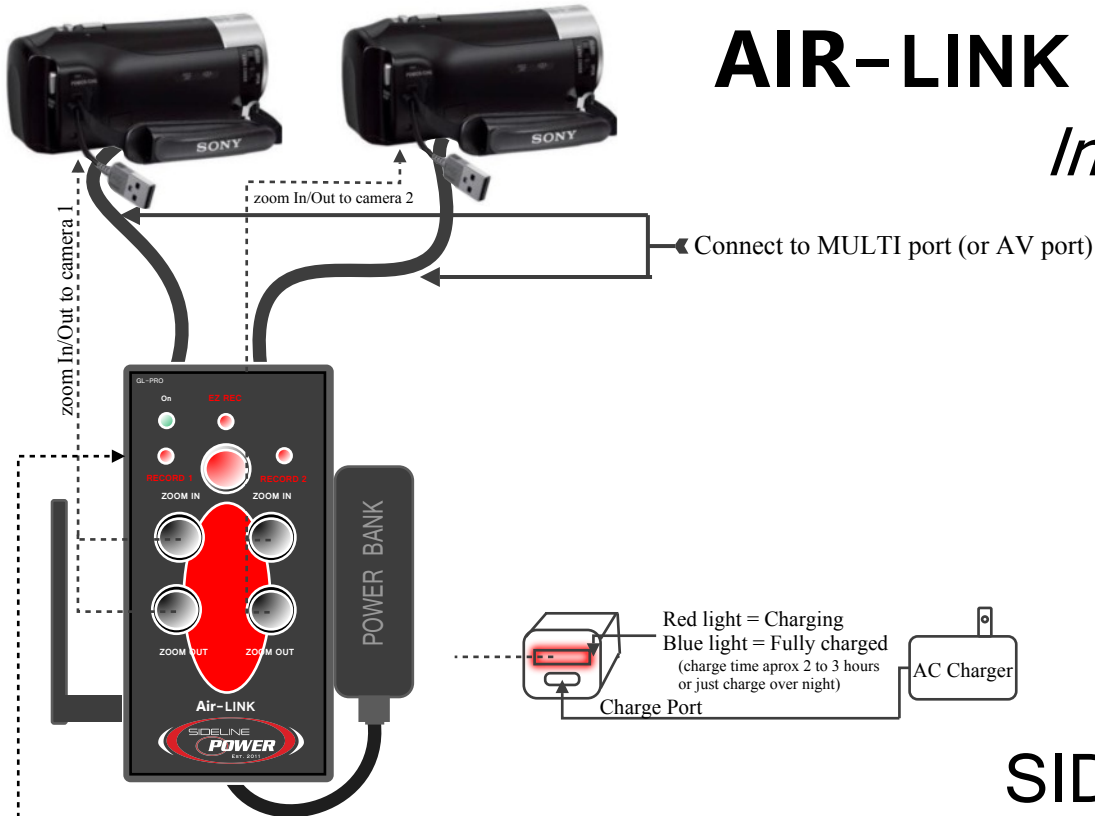


AIR-LINK

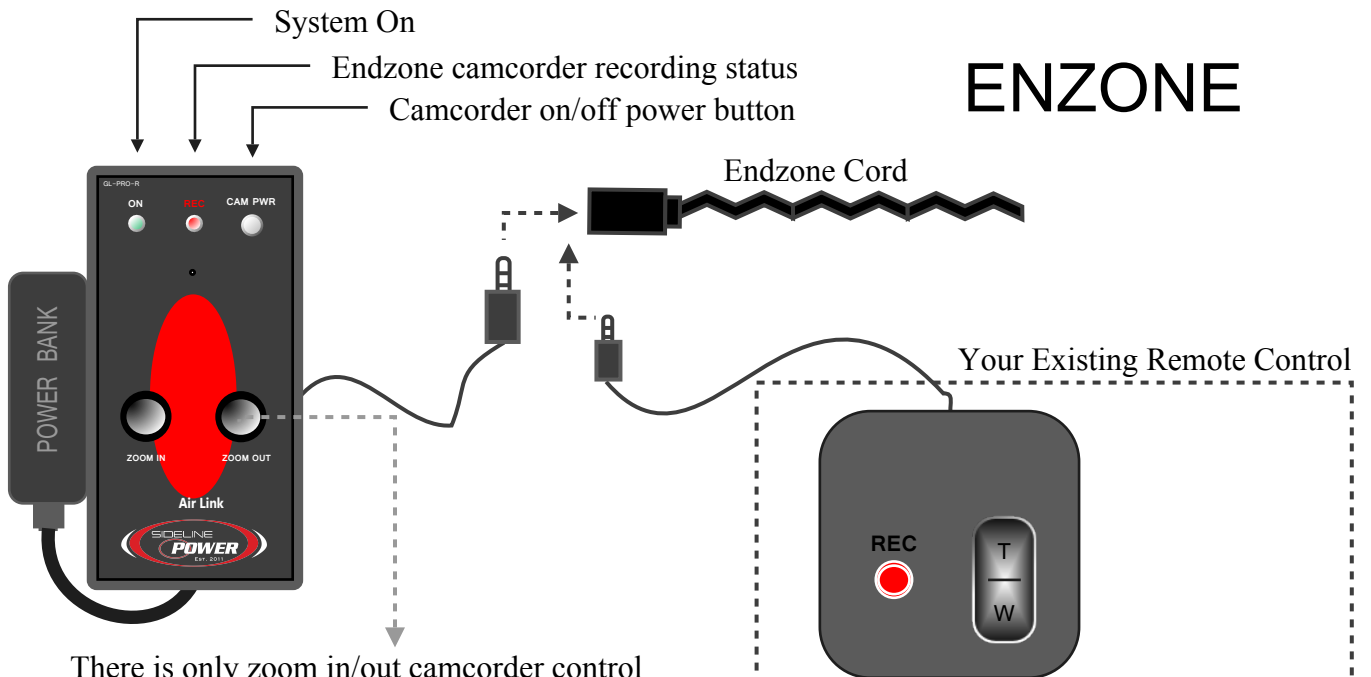
Instructions



SIDELINE

RECORD 1 LED | "ON" Camcorder recording.
RECORD 2 LED | "OFF" Camcorder paused.
EZ REC LED

ENZONE



There is only zoom in/out camcorder control on the Air-link EZ receiver. REC button is not necessary when camcorder recording function is controlled by the SIDE-LINE transmitter. This will eliminate accidental recording by the Endzone operator.

Note: To operate Endzone without wireless system just plug your existing remote as usual.